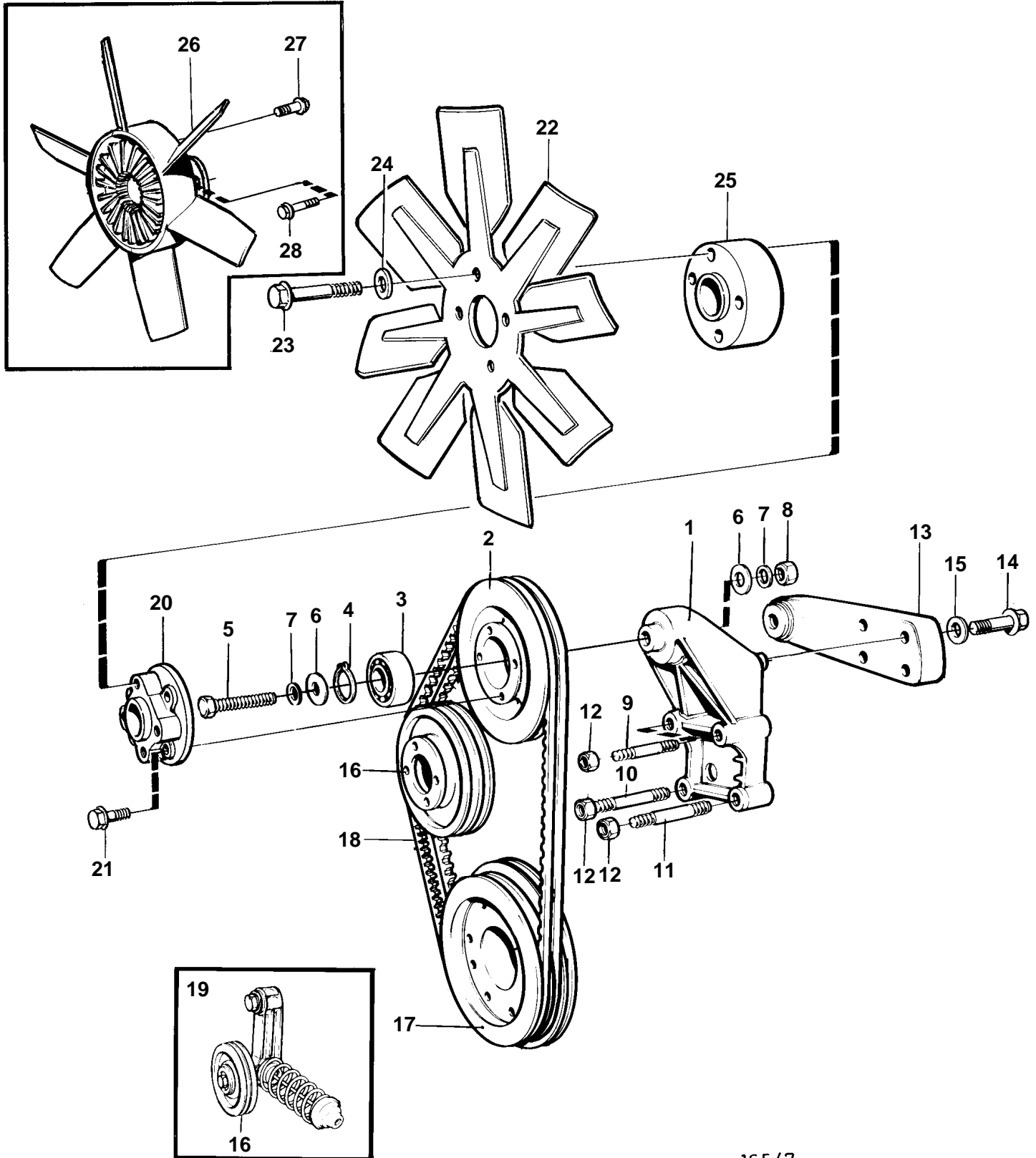


TWD730ME, TWD731ME



16547

TWD730ME, TWD731ME

REF	PART NO.	QTY	DESCRIPTION	SEE SEC.	NOTES
1	11030668	1	Bracket		
2	849932	1	Pulley		3 GROOVE, D=159mm, 4 holes.
	11030505	1	Pulley		D=140mm
3	1660115	1	Ball bearing		
4	914532	1	Snap ring		
5	970959	1	Screw		
6	4772122	2	Washer		
7	947541	2	Washer		
8	955783	1	Nut		
9	17378	2	Stud		L=170mm
10	479972	1	Stud		L=45mm (924079)
11	479973	1	Stud		L=80mm (924090)
12	971095	4	Nut		
13	4772116	1	Anchorage		
14	965216	4	Screw		
15	955894	4	Washer		
16		1	Pulley	1413	
17		1	Pulley		SEE GROUP 21
18	966847	1	V-belt kit		ALT L=2x1175mm
	966846	1	V-belt kit		ALT L=2x1150mm
19		1	Belt tensioner	1413	
20	848194	1	Hub		STD L=43mm
	787769	1	Hub		ALT L=28mm
21	946173	4	Flange screw		L=20mm
22	865913	1	Fan, pusher type		D=620mm
	843981	1	Fan, suction type		D=620mm
23	945444	4	Flange screw		FOR 843981
	965217	4	Flange screw		FOR 865913
24	941907	4	Spring washer		
25		1	Spacer ring		L=37mm, FOR 865913
26	865790	1	Fan		ALT
27	946440	6	Flange screw		
28	945444	4	Flange screw		